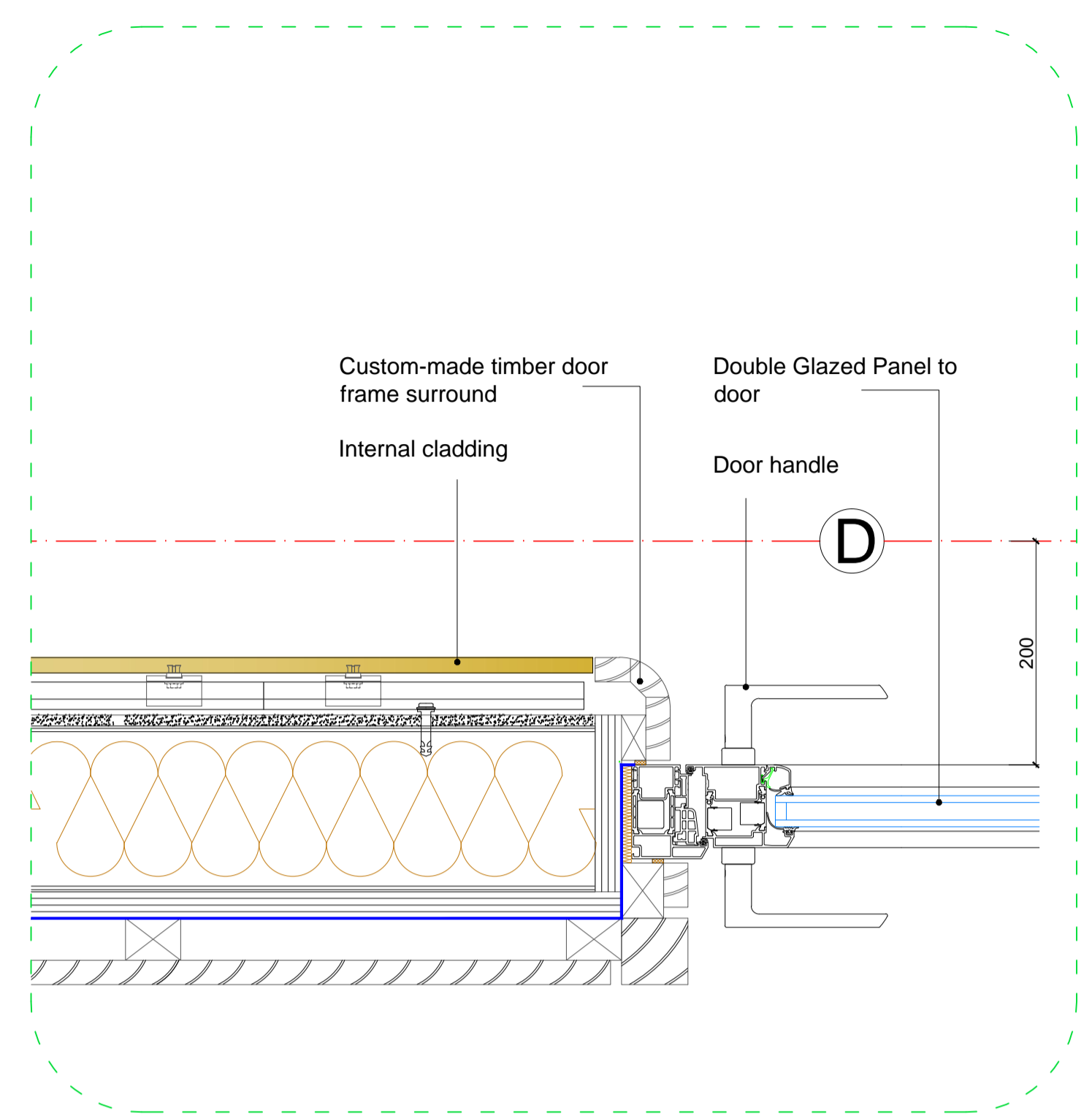
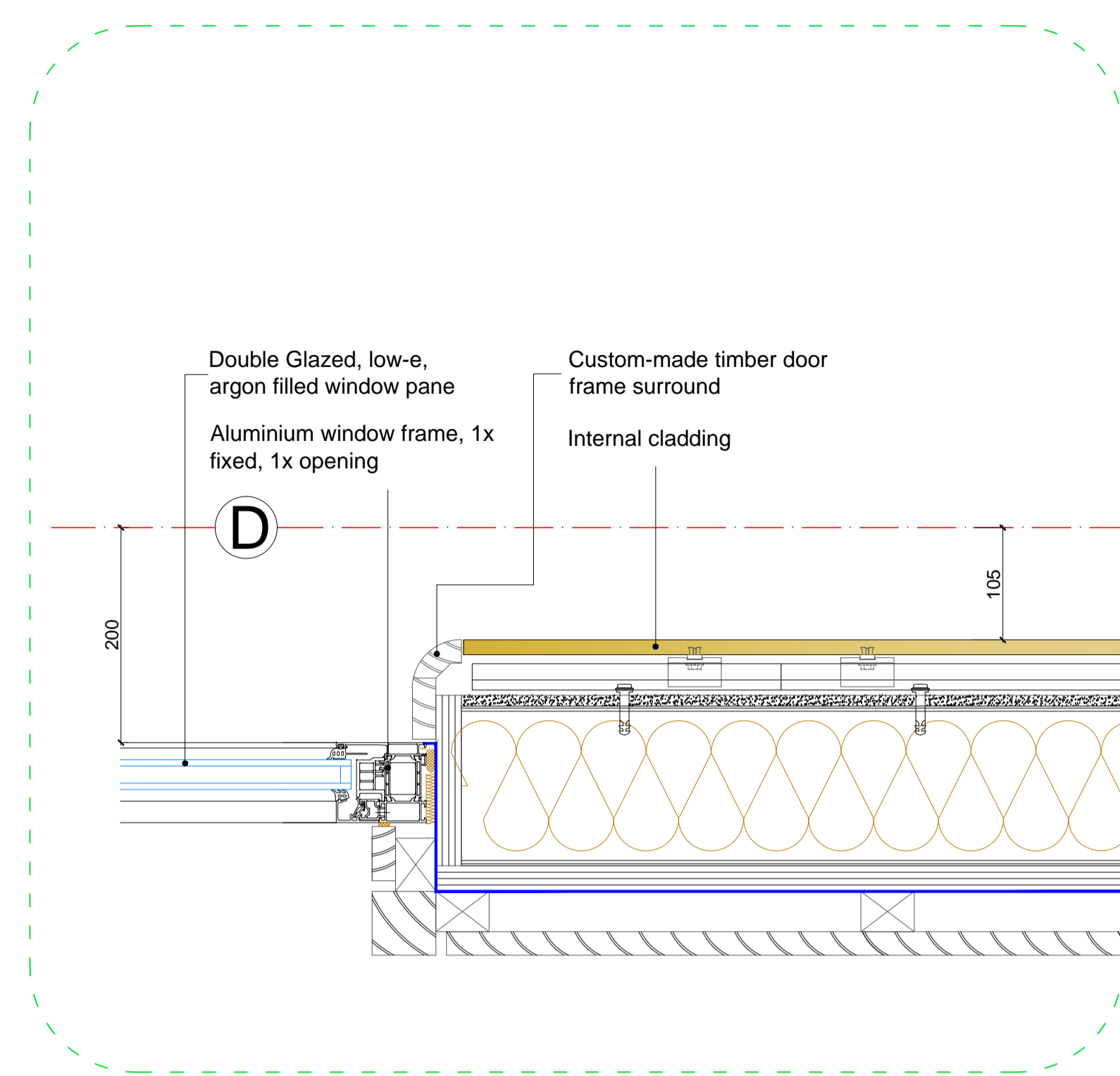


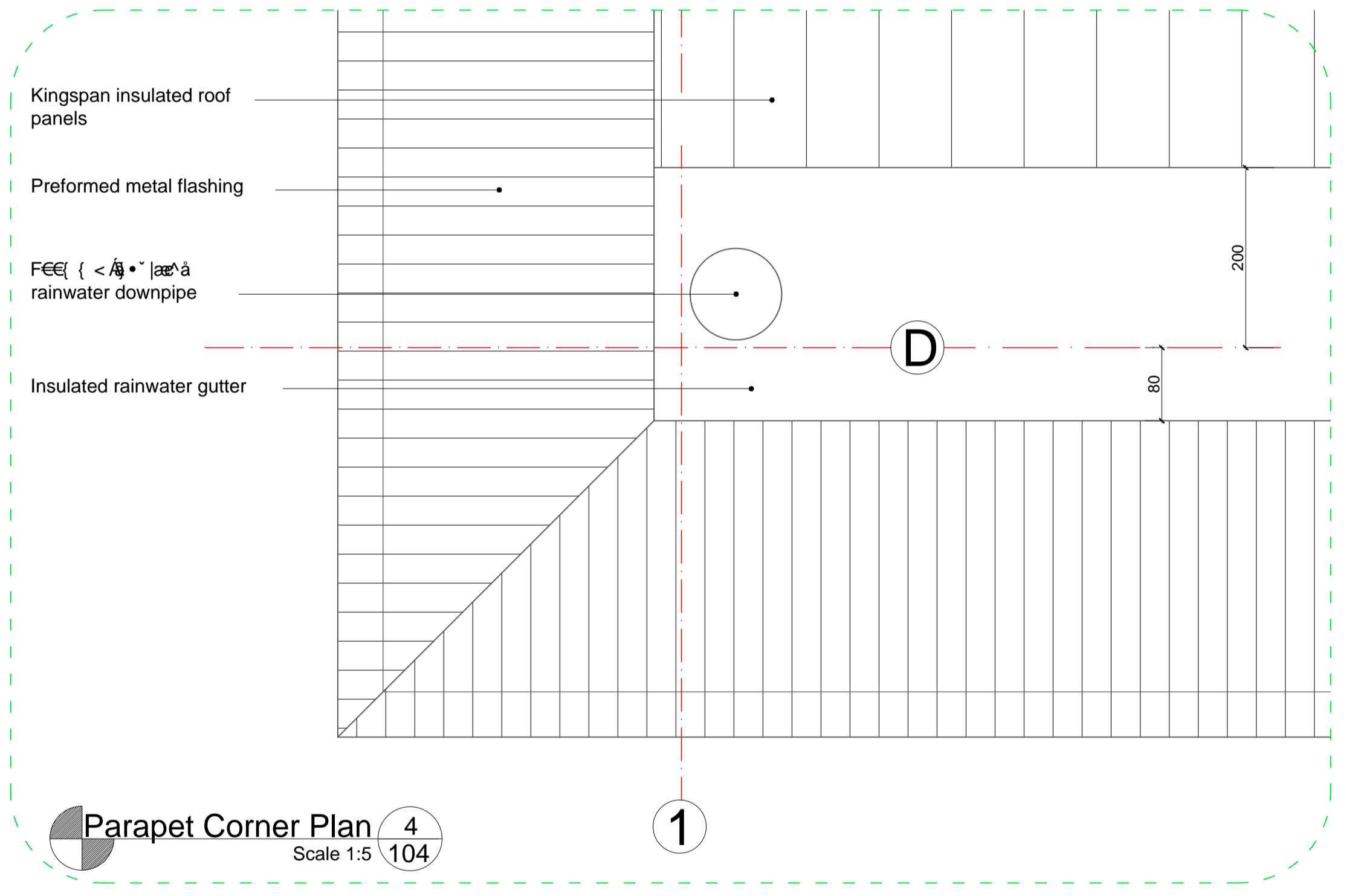
Corner Detail 1
Scale 1:5 104



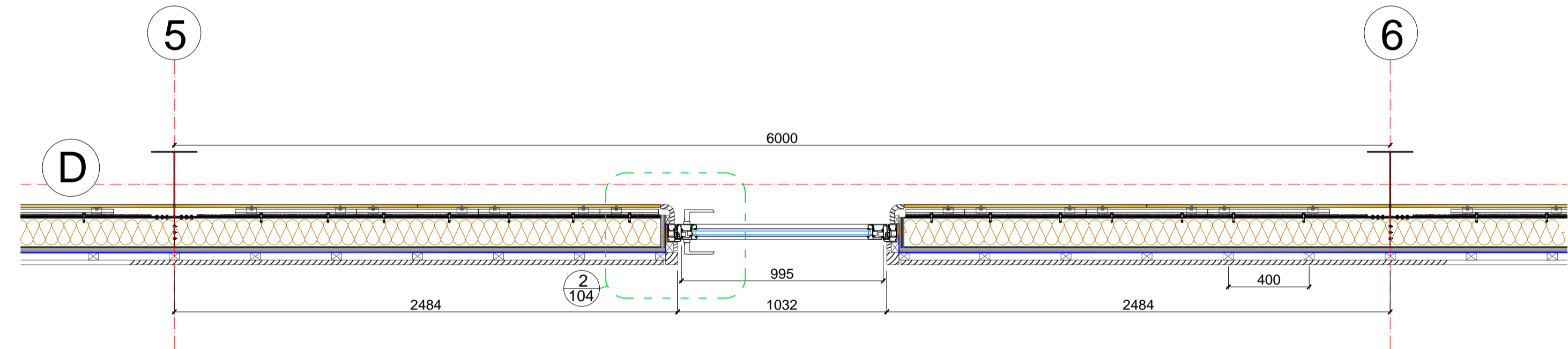
Door Jamb Detail 2
Scale 1:5 104



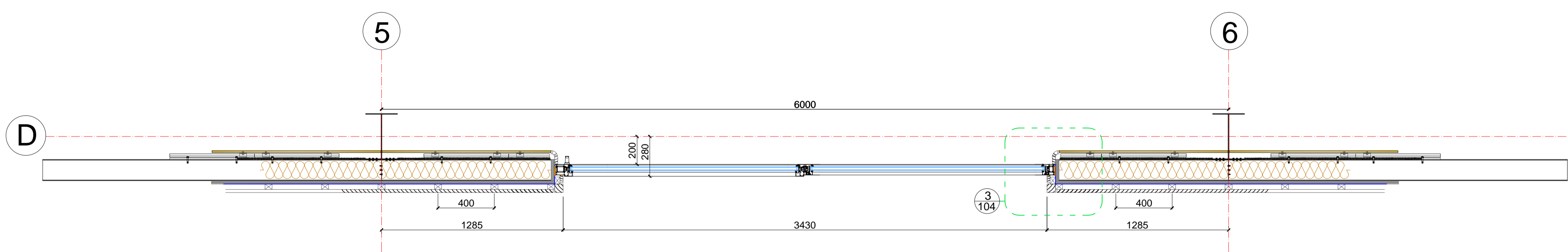
Window Jamb Detail 3
Scale 1:5 104



Parapet Corner Plan 4
Scale 1:5 104



Horizontal Section - Ground Floor
Scale 1:20

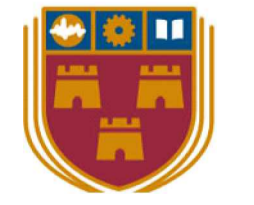


Horizontal Section - 1st floor
Scale 1:20

NOTES:-
1. USE FIGURED DIMENSIONS ONLY - DO NOT SCALE
2. ALL DRAWINGS TO BE READ IN CONJUNCTION WITH THE SPECIFICATION

No.	DATE	REMARKS

Institute of Technology, Carlow
Architectural Technology Year 3
2008-2009



PROJECT TITLE
Timber Cladding

DRAWING TITLE
Horizontal Details of Timber Cladding

LECTURER:
Alan Read, Dan Sullivan, Tony D'Arcy

DRAWN:
Eric Stilwell

SCALE
As Shown

CHECKED
DATE
24.10.2008

DRAWING NUMBER
08-01-CLADDING-103

REV
2